

POSITIONING THE SMOKE DETECTOR

Recommended locations:

| | |
|---|--|
| <p><u>Optimal protection:</u> In all occupied areas such as bedrooms, living room, study and the escape route as hallway, basement and attic.</p> | <p><u>Maximum protection:</u> - Smoke detector in all rooms (with the exception of bathrooms, kitchen, garages, etc.) - Heat detectors can be installed in bathrooms, kitchens, airing cupboards, utility rooms, etc. within 5 metres of a potential source of fire.</p> |
|---|--|

- The smoke detector should preferably be installed in the middle of the ceiling, at least 50 cm from the wall.
- If ceiling mounting is not possible to mount the detector on the wall. A minimum of 30 and maximum of 50 cm from the ceiling. (See Figure 3)
- In the case of pitched roofs, install the smoke detector on the sloping wall, at least 90 cm (measured vertically) from the ridge of the roof.
- Ensure that the detector can always be reached for testing and cleaning.

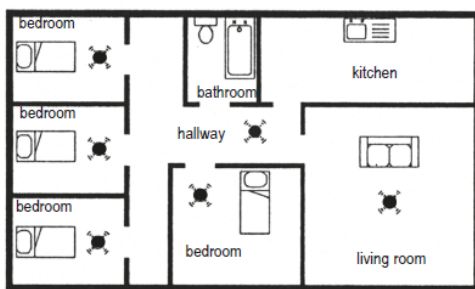


figure 1

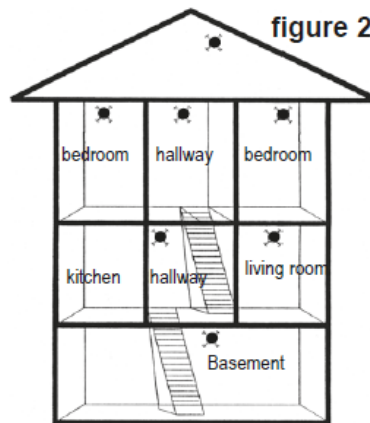


figure 2

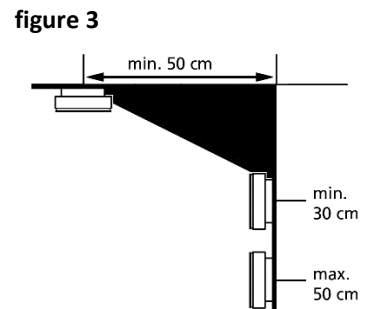


figure 3

Never fit a smoke alarm:

- In bathrooms, kitchens, shower rooms, garages, etc. Places where a smoke detector may go off needlessly due to condensation, normal smoke or gases. A smoke detector should be fitted at least 5 metres from such sources of smoke.
- Places where the temperature may exceed 55° C or fall below 0° C, e.g. attics, just above a fireplace, etc.
- In the vicinity of (or adjacent to) decorative objects, doors, sockets, lights, fittings, windows, wall ventilators, etc. which could mean that smoke does not reach the smoke detector. Minimum 50cm away.
- Surfaces that are usually warmer or colder than the rest of the room. Differences in temperature can prevent smoke from reaching the detector.
- Adjacent to or directly above stoves or heaters.
- In very high or difficult to reach places. This makes it hard to reach the detector to test or clean it.
- In very dusty or dirty places. Accumulation of dust will prevent smoke from reaching the smoke chamber and in time will lead to a false alarm.

- Within 1 metre of dimmer switches and wiring. Some dimmer switches can trigger a fault in the detector.
- Within 1.5 metres of fluorescent lights. Electrical impulses can adversely affect the functioning of the detector.
- Outdoors and in spaces where a large number of insects are found. Small insects in the unit's detection chamber can disrupt the functioning of the detector.

The labels on the rear side of the detector contain important information.

ATTENTION: The smoke alarm should be covered or temporarily removed during renovation work or structural alterations. Once the day's work is complete, clean the smoke detector with the soft brush from a vacuum cleaner and then activate it again. Always test it by pressing the test button once it has been reinstalled.